



# MEGA HAULER

WITH **FOLD DOWN REAR WHEELS**  
INSTRUCTION MANUAL



67265

Revised: JULY 2017

## CONTENTS

Specs .....3  
 Parts Diagram .....4  
 Assembly .....5

### STANDARD ON ALL AMERICAN CART PRODUCTS

#### Made in the USA

Hand crafted at our Ohio plant.

#### Heavy-duty comes standard

American Carts are all built to heavy duty specs

#### Flat-free tires

10 inch closed-cell tires that will never go flat

#### Powder coated finish

Protects the steel and provides a lasting finish

#### D-Brackets

One piece design holds the axle in place and supports the load

#### Steel construction

Built from American sourced steel

#### Easy to operate

Designed to get work done with less muscle strain and simple operation

## WARRANTY

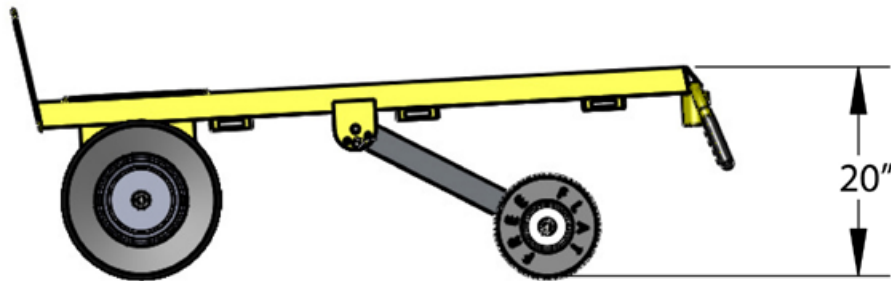
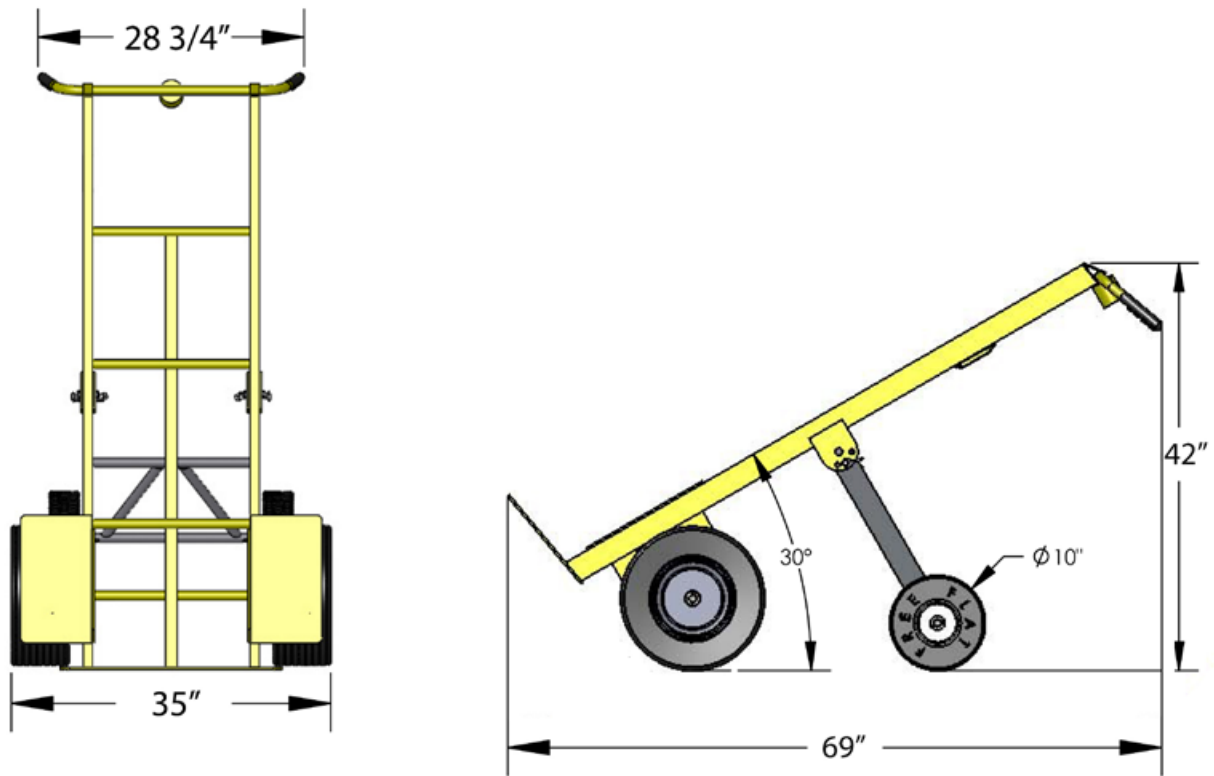
3 Year Limited Warranty. Carts, excluding any finishes, casters and wheels are warranted for three (3) years from date of original purchase. Casters and wheels are warranted for 90 days from date of original purchase. We will repair, without charge, any defect due to faulty material or workmanship. These warranties do not cover failures due to abuse, misuse, improper installation, accidental damage or when repairs or modifications have been made or attempted to be made by anyone other than Granite Industries. Any defective products that meet warranty specifications and Granite Industries approval, may be returned to the factory to be repaired or replaced free of charge. (Granite Industries will pay to ship replacement item(s) to the customer; however the customer is responsible for shipment of products to the factory.) This remedy is the sole remedy in contract, tort or otherwise, and Granite Industries is not liable for incidental, consequential or special damages. These warranties give you specific legal rights, and you may have other rights which vary from state to state. Should you have any questions, contact Granite Industries (Proof of purchase may be required).



**GRANITE**  
INDUSTRIES

**Customer Service**  
**877-447-2648**  
**M-F, 8am - 5pm EST**

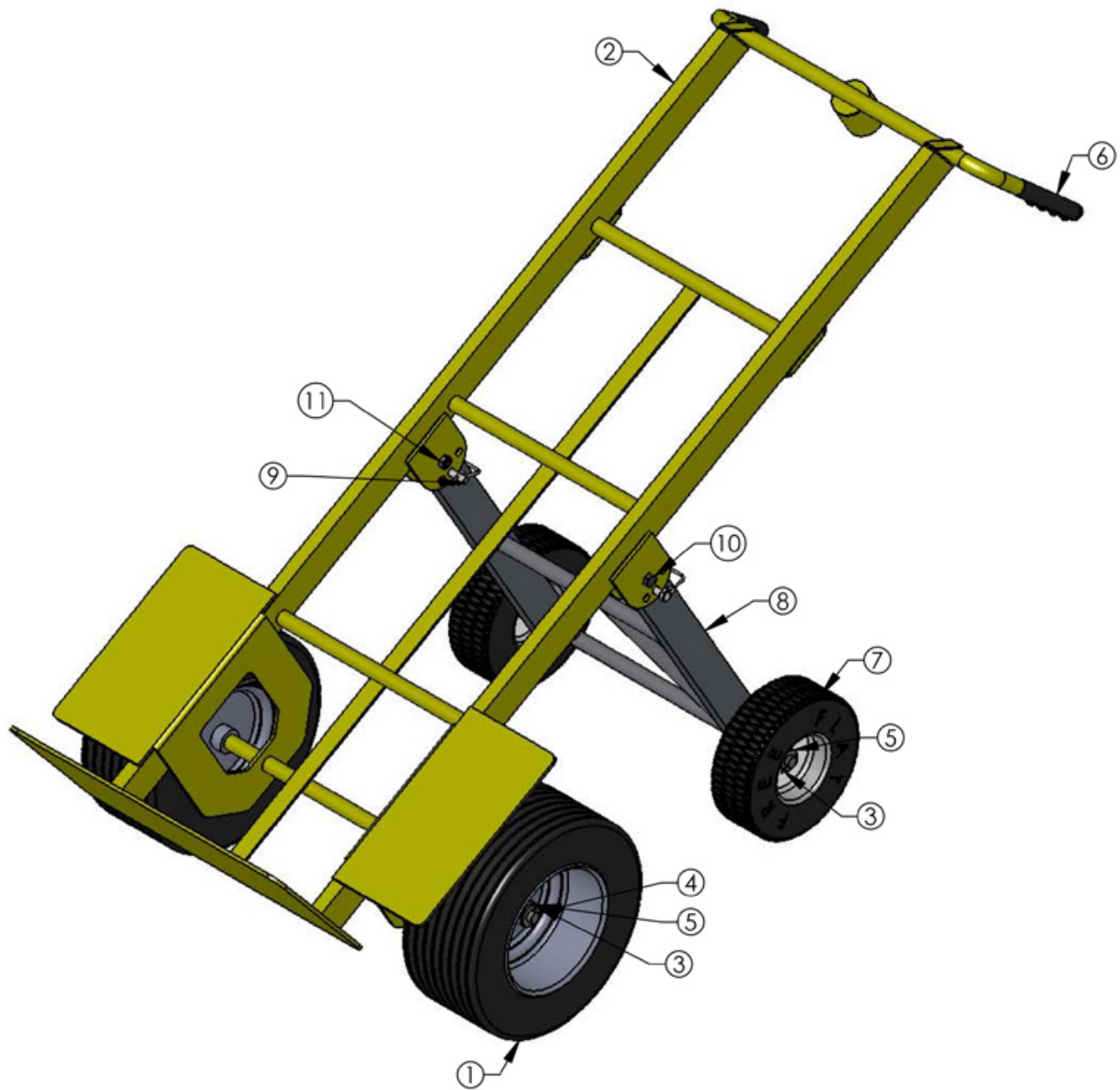
# SPECS



<b>Overall Dimensions:</b>	<b>W:</b> 35"	<b>D:</b> 69"	<b>H:</b> 42"
<b>Foot Plate:</b>	<b>W:</b> 24"	<b>D:</b> 12"	
<b>Weight:</b>	146 lbs.	<b>Capacity:</b>	1000 lbs.

\*Measurements taken on 4 wheels.

# PARTS DIAGRAM



ITEM NO	QTY	PART NO	DESCRIPTION	
1	2	PI-06-0048	16" Wheel with Steel Hub	
2	1	MI-12-4624	Mega Hauler Cart Body	
3	4	PI-01-0226	1-1/4" Cotter Pin	
4	1	MI-04-0537	30-1/2" Axle Rod	
5	4	PI-01-0229	3/4" Washer	
6	2	PI-04-0109	Hand Grip	
7	2	PI-06-0115	10" Wheel with Steel Hub	
8	1	MI-12-4625	Rear Axle Assembly	
9	2	06057	3" Snap Pin	
10	2	PI-01-0264	1/2" Hex Bolt	Use 3/4" wrench & socket
11	2	PI-01-0121	1/2" Nut	Use 3/4" wrench & socket